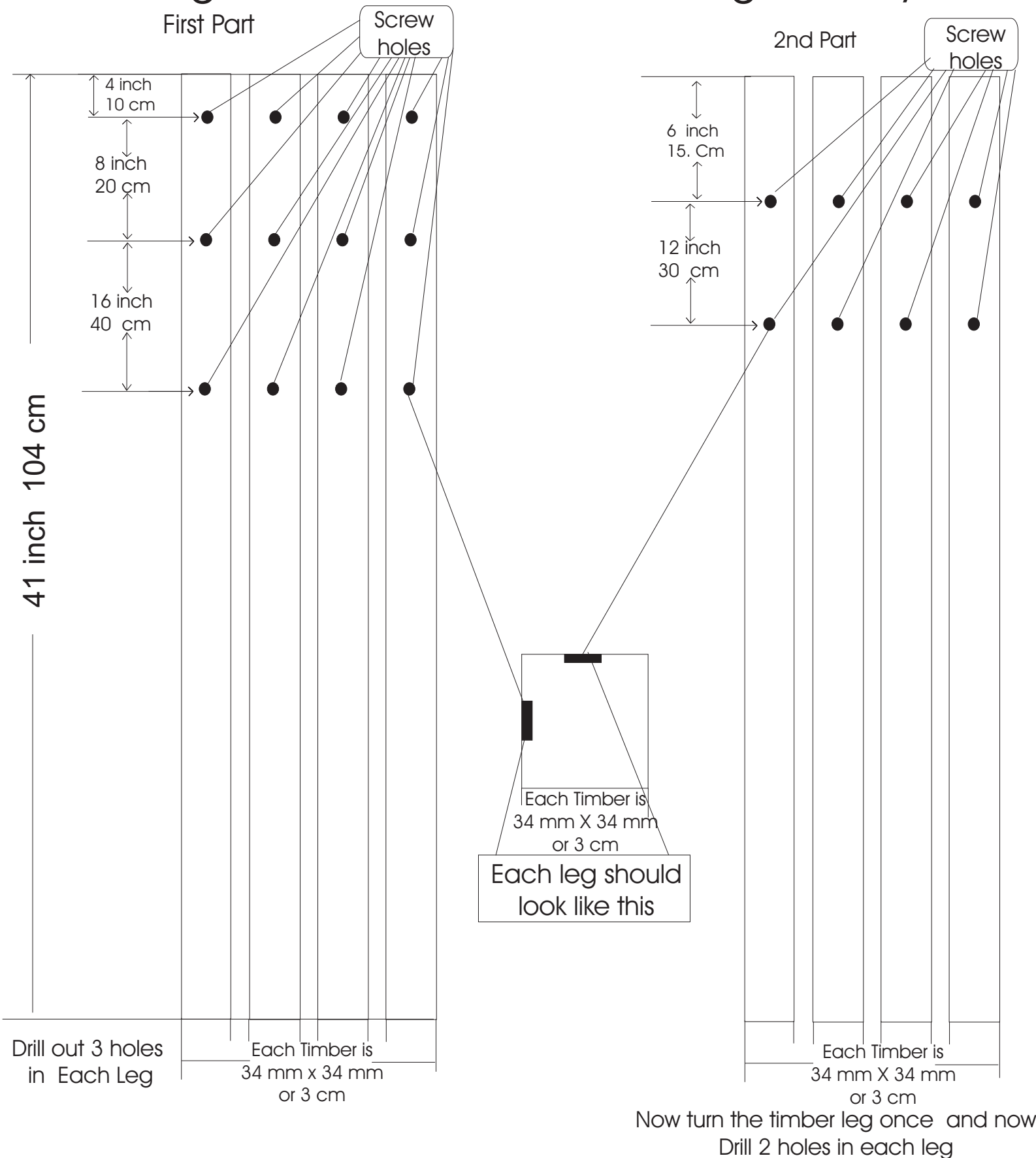


# DIY Stevenson Screen Part 1

## Getting The Stevenson Screen Legs Ready



You need to drill out 20 holes in total, that's 5 holes on each leg. Drill Size is up to you in what Screws you use! I was using 4mm Drill. Now when you have drilled all those Holes, you now need counter sink them. This Part done.

For any help on this Section please go to

<http://www.hereford-weather.co.uk/html/StevensonScrendiy.htm> see FIG 1

# DIY Stevenson Screen Part 2

## Putting together Stevenson Screen Panels

Make Sure the Slats are Pointing Down !!

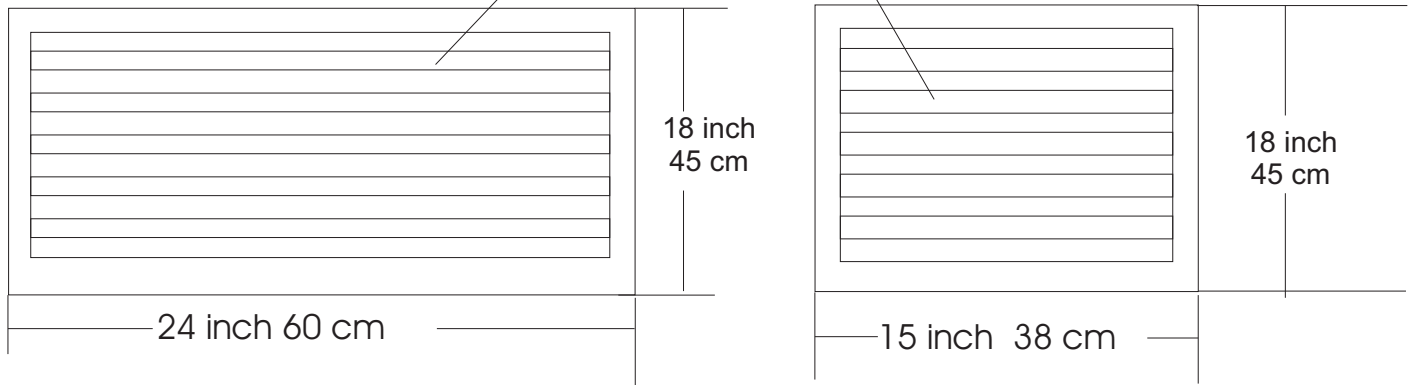


Diagram A

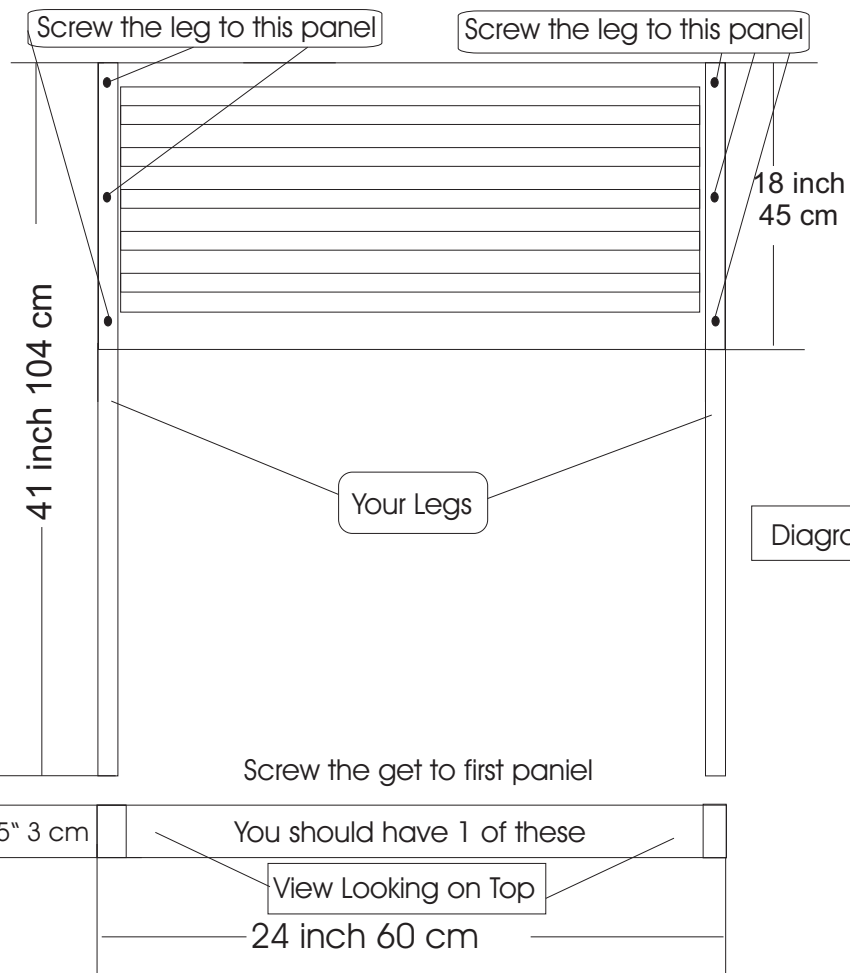
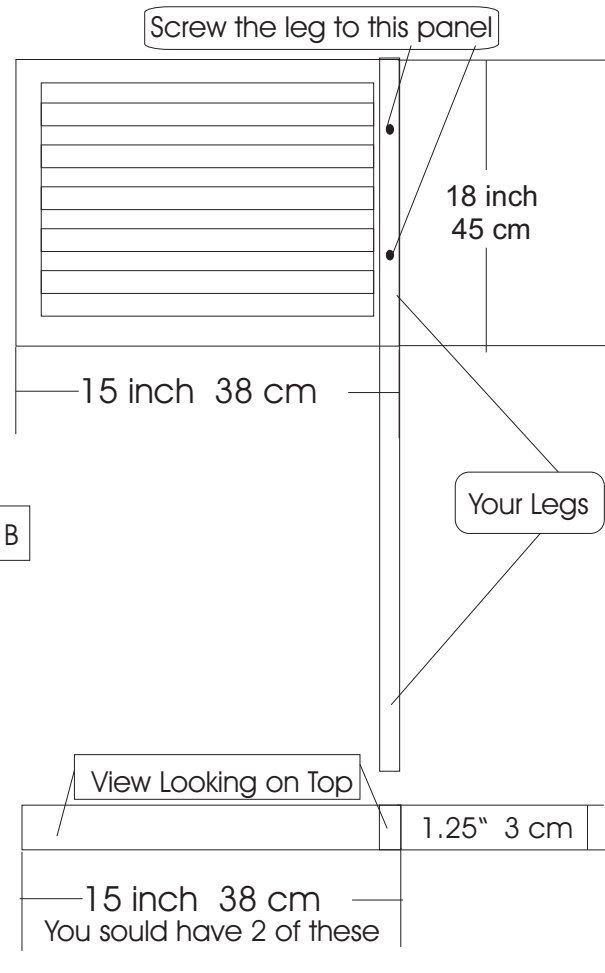


Diagram B

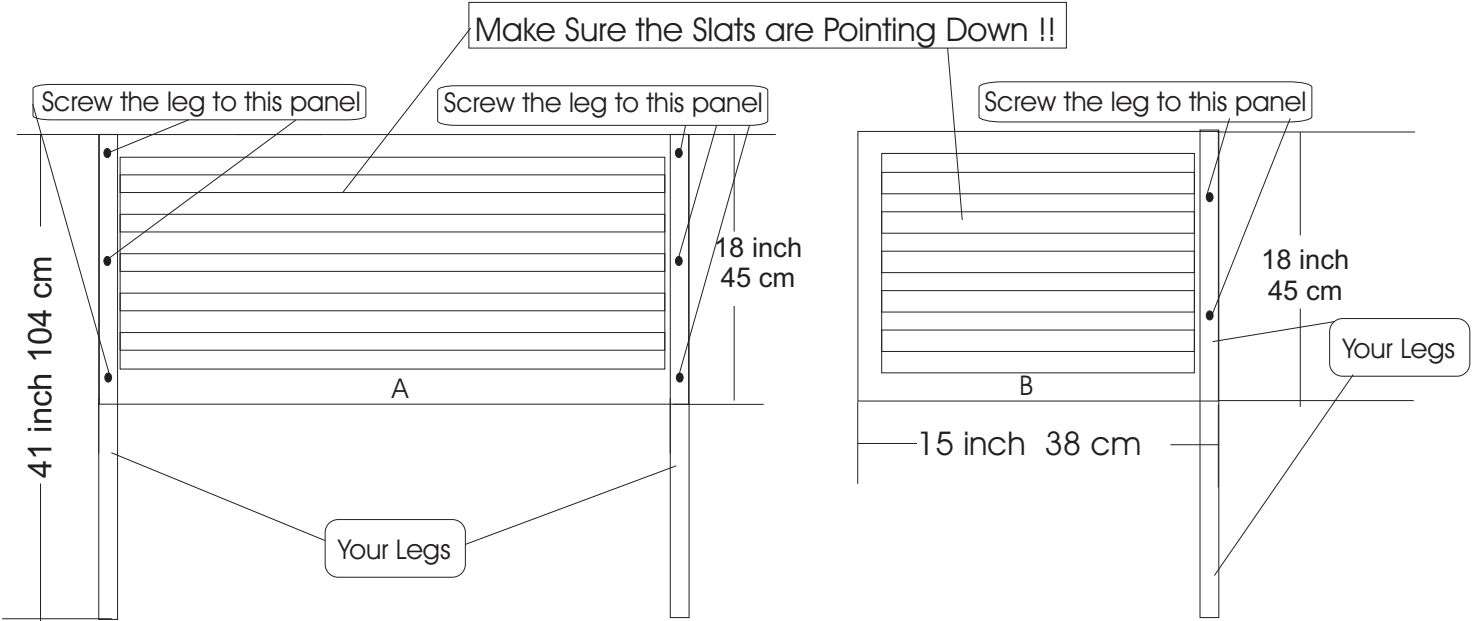


Right, the large panel screw two legs on it, now the 2<sup>nd</sup> Smaller Panel Screw only one leg to it, but screw it to the right hand, see Diagram B, Please Not Don't Screw any legs to 2nd Wide Panel As this will be Your Door so leave this alone.

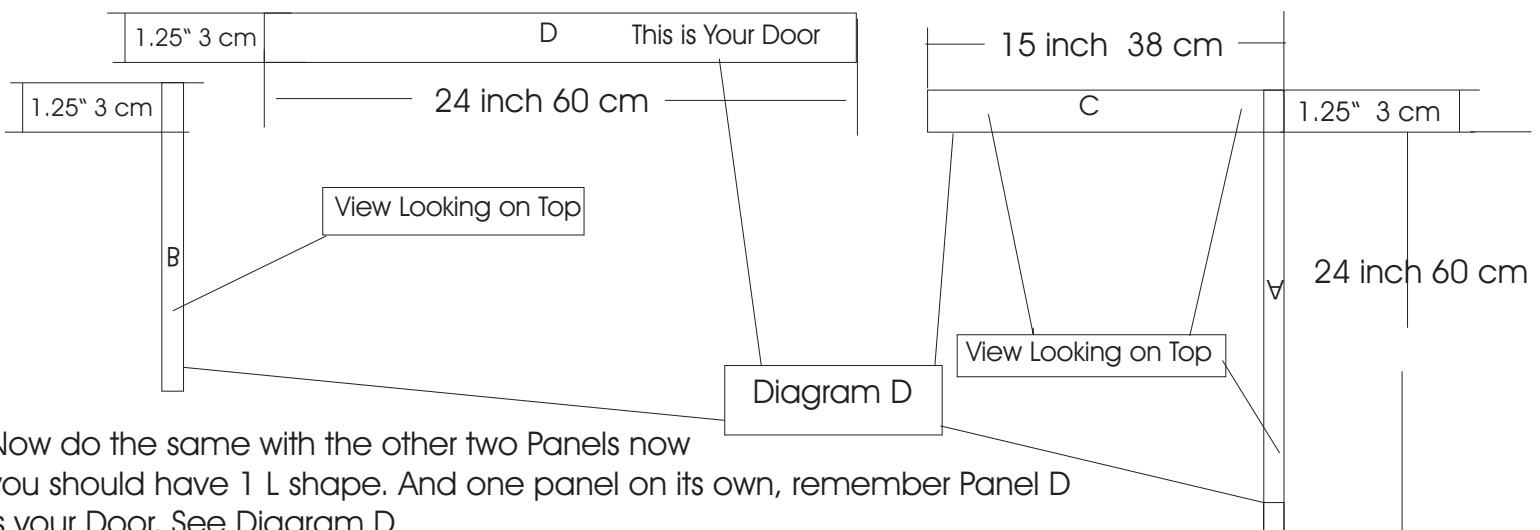
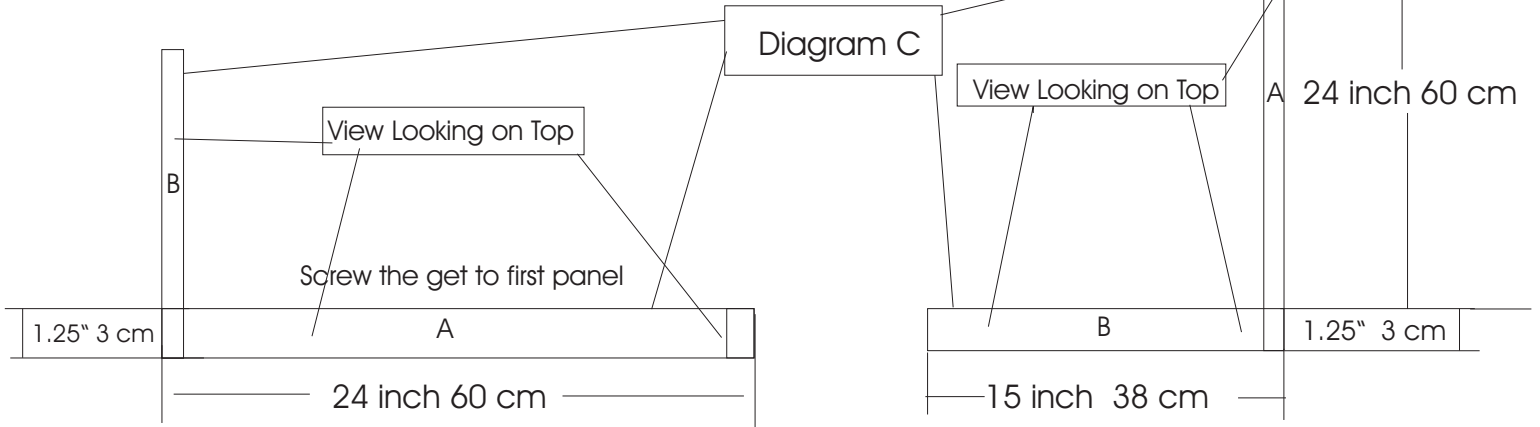
For any help on this Section please go to <http://www.hereford-weather.co.uk/html/StevensonScrendiy.htm> see FIG 2

# DIY Stevenson Screen Part 3

## Putting together Stevenson Screen Panels



Now Screw Panel A to Panel B. Place Panel B on the Floor Flat, Now Put Panel A onto the side where there is no leg fixed to it, now you should have L shape with 3 legs. See Diagram C

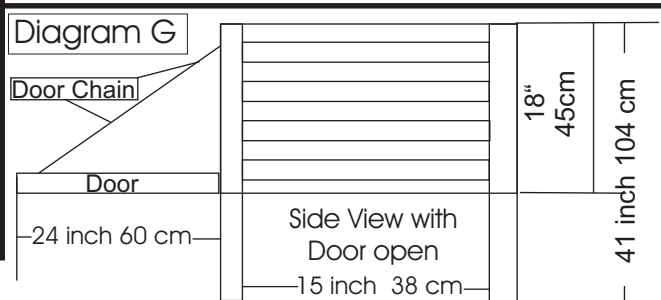
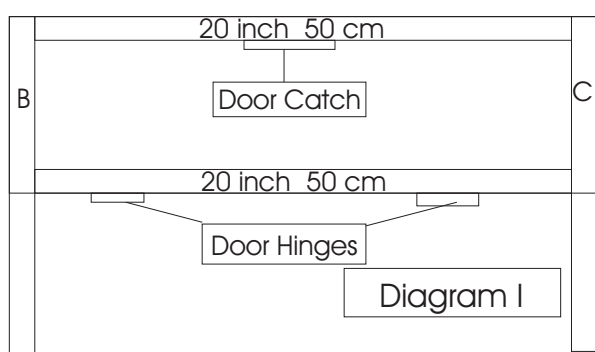
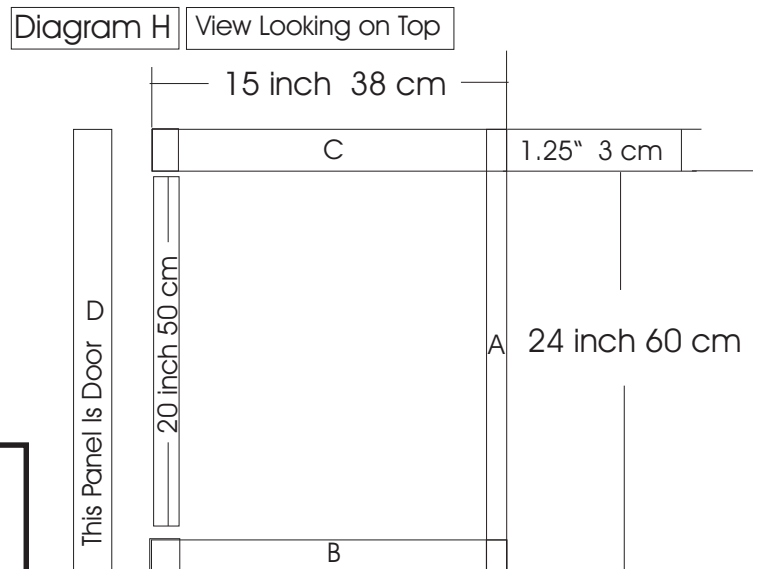
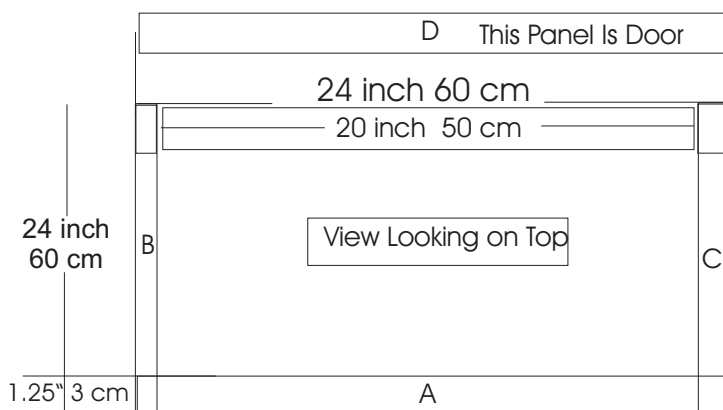
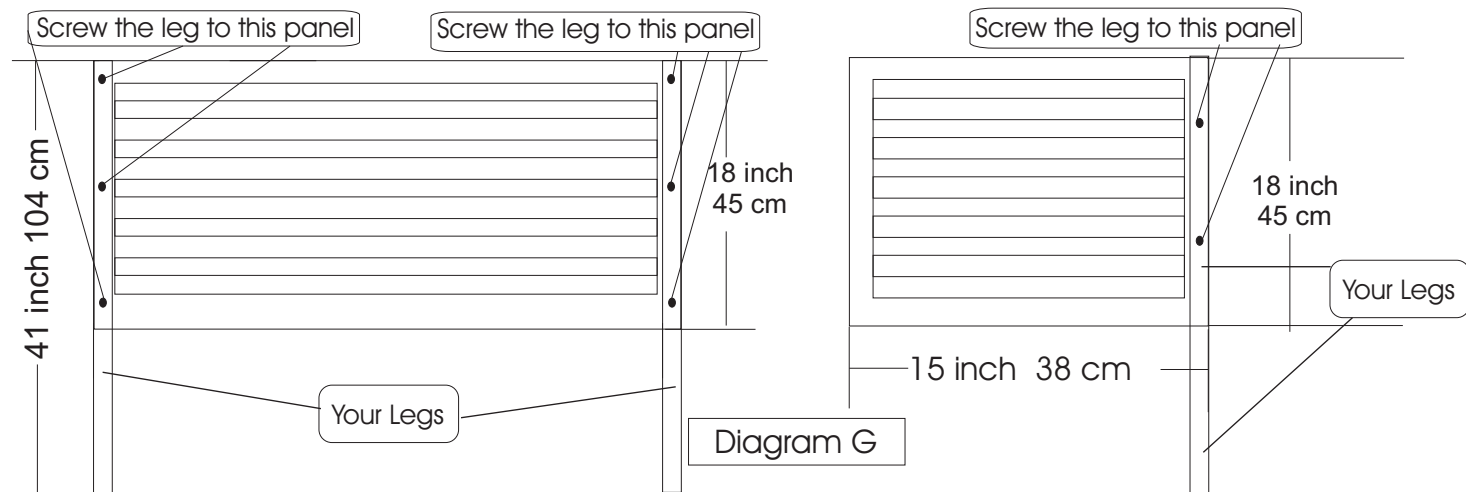


Now do the same with the other two Panels now you should have 1 L shape. And one panel on its own, remember Panel D is your Door, See Diagram D

For any help on this Section please go to <http://www.hereford-weather.co.uk/html/StevensonScrendiy.htm> see FIG 3

# DIY Stevenson Screen Part 4

## Putting together Stevenson Screen Panels



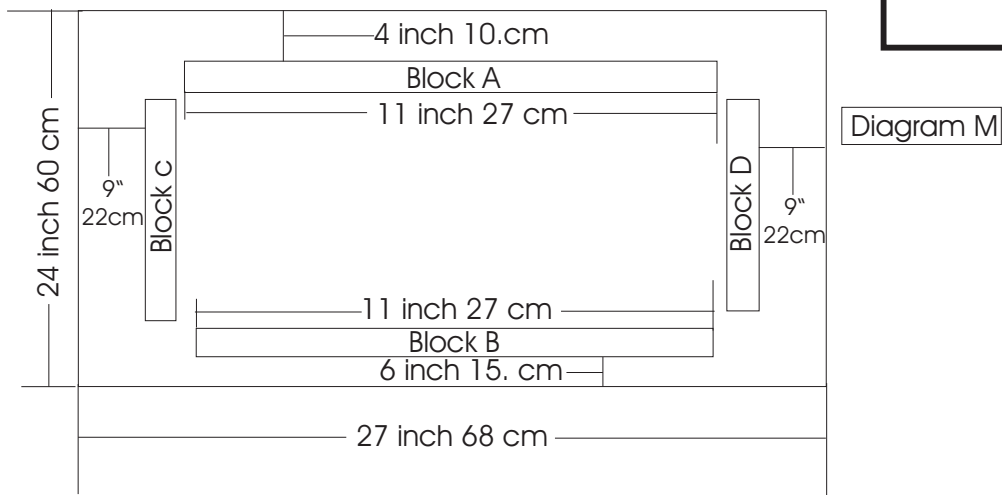
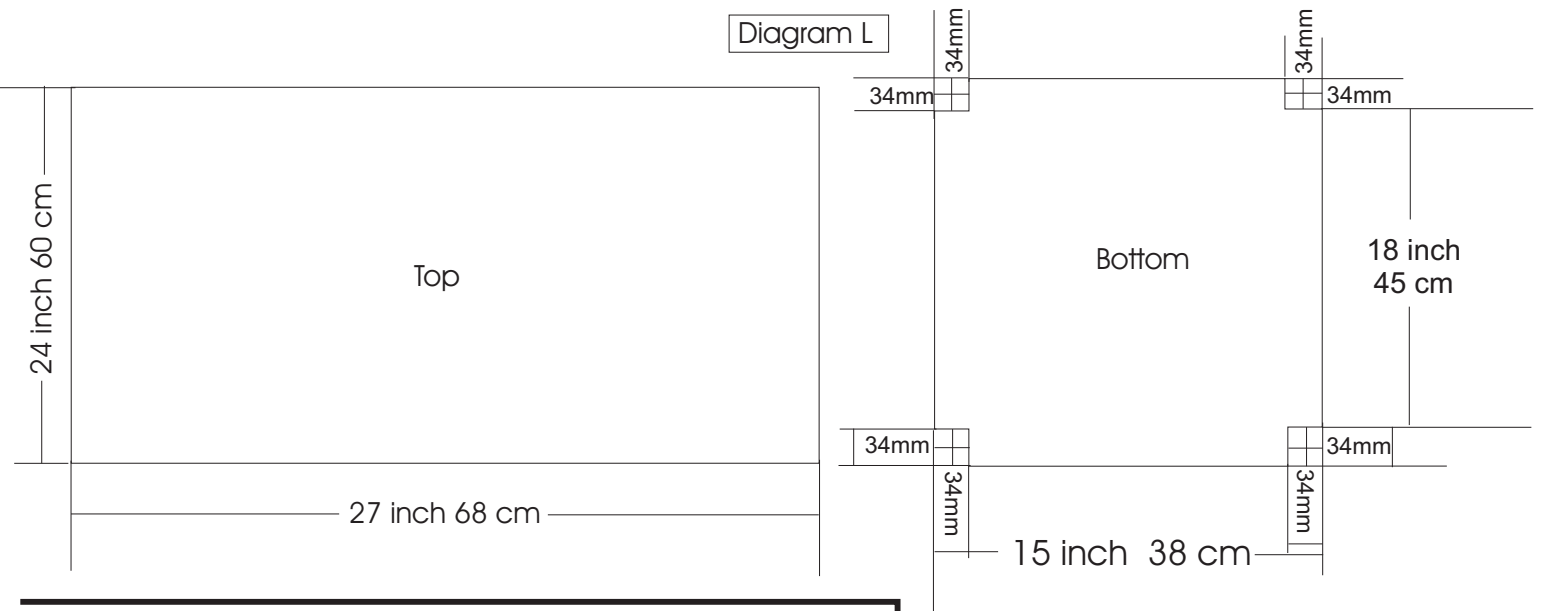
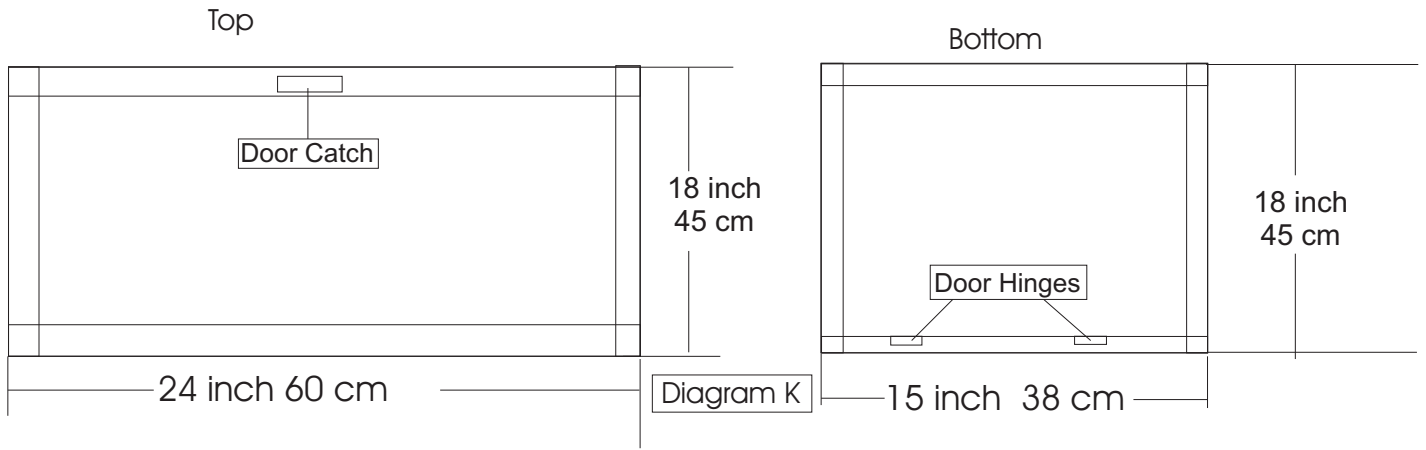
Now Screw Panel A/B to C and then C to Panel B/A now you should have a U box and it should stand up now... See Diagram H , Now cut a piece of timber at 20" 50cm there are used for Door Frame. Fix these to Panel C and B See Diagram I, I used small L Brakes, to support these

Now at this point you can now added the Door hinges and the door Brackets and the Chain to hold the Door. See Diagram G, Now you can Fix the door..

For any help on this Section please go to  
<http://www.hereford-weather.co.uk/html/StevensonScrendiy.htm> see FIG 4

# DIY Stevenson Screen Part 5

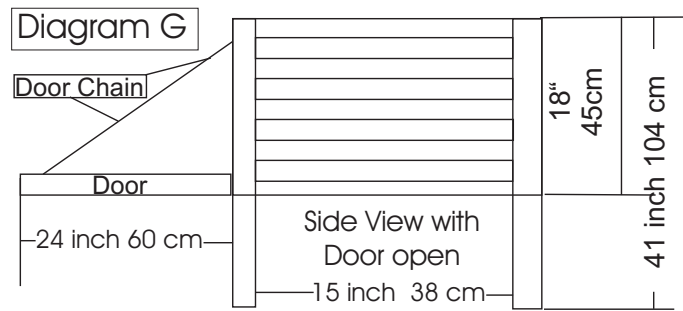
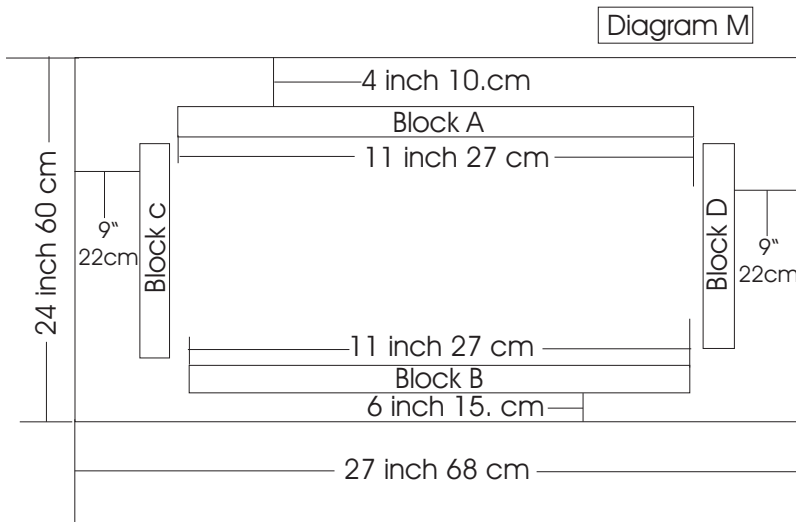
## Putting together Stevenson Screen Panels



For any help on this Section please go to <http://www.hereford-weather.co.uk/html/StevensonScrendiy.htm> see FIG 5

# DIY Stevenson Screen Part 6

## Finally Putting together Stevenson Screen



Right if you buy your Plywood 606mm X 1220mm 12mm , you will find that you can cut Top and bottom from one sheet,

First We Deal with the Top Cut the Top to size see diagram L , soon as you have done that Next cut 4 pieces off timber See diagram M, now place to Top on floor upside down, "but remember the Front Point" now Place Block onto the Bottom Top, see diagram m, but make sure you Messer this right, because this is the only way you can Support the Root without Screwing it, I've done this for easy Access. So when you got it right the Top should Hang forward more then back,

I have found fixing these block to the inside of the roof I used No more Nails, Because the last thing we don't want any hole at the top...

Onto bottom,

all you need to do is cut the four Corner's See diagram L, now all you need to do is Slid the Bottom on and nail it down, but for Extra Support I places 4 L bracket from bottom basic the to legs, this will support any heavy item inside.

Last of all prime the Stevenson screen, when priming make sure you prime inside as well, then wait for it to dry 3-4 hours, soon as it dry Pain it, I used Whit Paint, but it has to be out door paint, the one I found better is exterior paint for wood gloss white . You might need 1 or 2 coats.

Now you have finished stand back and mire at what you have built..

Hope you enjoy you project as much as I have done.

Thank you

For any help on this Section please go to  
<http://www.hereford-weather.co.uk/html/StevensonScreendiy.htm> see FIG 6